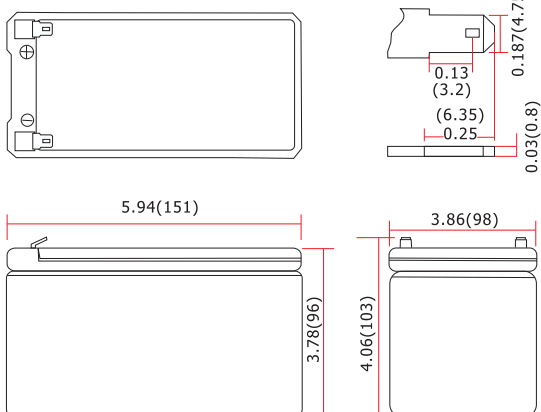




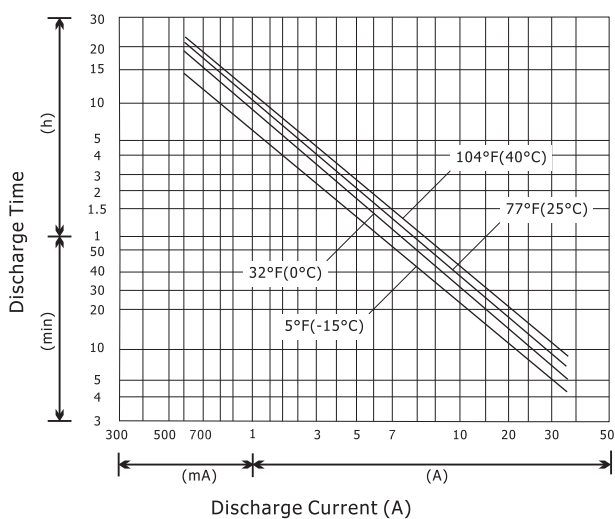
- GEL Battery
- High rate Battery
- Deep-cycle Battery
- Valve Regulated Lead-Acid Battery
- Maintenance Free Lead-Acid Battery

PL12-12

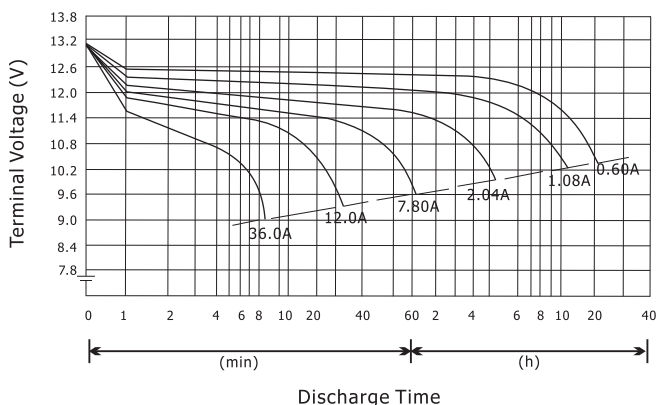
Unit: inch(mm)



Discharge Current and Discharge Duration Time



Discharge Curves 77°F(25°C)



Specification

Nominal Voltage	12V	
Rated Capacity (20hr Rate)	12Ah	
Dimensions	Length	5.94inches (151mm)
	Width	3.86inches (98mm)
	Height	3.78inches (96mm)
Total Height	4.06inches (103mm)	
Weight	Approx. 7.58lbs (3.44kg)	
Characteristics		
Capacity 77°F(25°C)	20hour rate (0.60A)	12.0Ah
	10hour rate (1.08A)	10.8Ah
	5hour rate (2.04A)	10.2Ah
	1hour rate (7.80A)	7.80Ah
Internal Resistance	Full Charged, 77°F(25°C)	20mΩ
Capacity Affected By Temperature (10hr Rate)	104°F(40°C)	102%
	77°F(25°C)	100%
	32°F(0°C)	85%
	5°F(-15°C)	65%
Self-Discharge 77°F(25°C)	Capacity after 3 month storage	90%
	Capacity after 6 month storage	80%
	Capacity after 9 month storage	60%
Charge (Constant Voltage)	Initial Charge Current "LESS" than 3.60A	
	Cycle	14.4-15.0V / 77°F(25°C)
	Stand By	13.5-13.8V / 77°F(25°C)

**These data are average values obtained from three Charge/Discharge cycles. Note: These are NOT minimum values.